

REGISTRATION INTERFACE
SERIES SINGLE LINE
TIP AND RING ARRANGEMENTS
RJ31X, RJ32X, RJ33X, RJ34X, RJ35X AND RJ36X

1. GENERAL

1.001 This addendum supplements Section 463-400-130, Issue A. Place this pink sheet ahead of page 1 of the section.

1.002 This addendum is issued to provide a new schematic of the 635A connecting block to agree with the production model.

2. CHANGES TO SECTION

2.001 On page 1, revise paragraph 1.05 to read as follows; retain Note.

1.05 In the 635A connecting block, all eight terminals are wired to contact springs as shown in Fig. 7. A matching 8-contact plug must be used on the CPE to assure proper *series* circuit functions through the connecting block when the CPE is connected. All unused leads and terminals are reserved for telephone company use. Disposition of spare leads should be per local instructions.

2.002 Add Fig. 7.

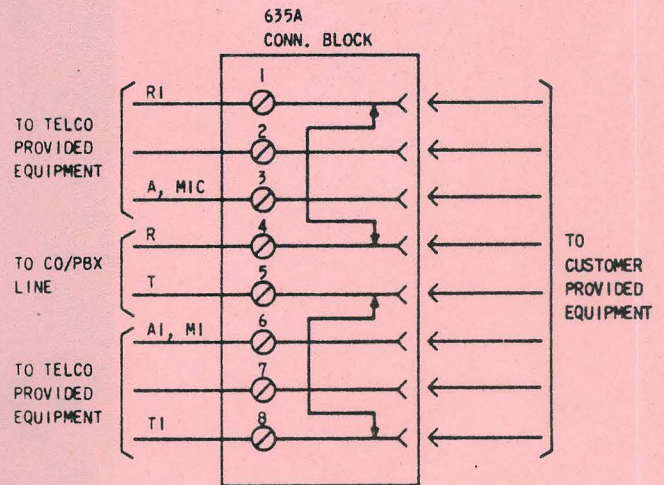


Fig. 7—New Schematic of 635A Connecting Block

NOTICE

Not for use or disclosure outside the
Bell System except under written agreement