

33 TAPE READER

DISASSEMBLY AND REASSEMBLY

CONTENTS	PAGE
1. GENERAL	1
2. DISASSEMBLY AND REASSEMBLY . .	1
SENSING PIN ASSEMBLY	1
FEED MAGNET ASSEMBLY	1
FEED WHEEL AND TOP PLATE ASSEMBLY	2
TAPE READER FEED MAGNET CONTACT	2
TAPE READER CLUTCH TRIP MAGNET ASSEMBLY	3

1. GENERAL

1.01 This section is reissued to incorporate recent engineering changes and to present disassembly and reassembly information exclusively for 33 tape readers. Since this is a general revision, marginal arrows, used to indicate changes, have been omitted.

1.02 References to left, right, front, rear, etc, consider the tape reader to be viewed from a position where the feed wheel faces up and the lid latch is to the viewer's right.

1.03 Disassembly, as outlined in this section, covers the procedure for removing the principle subassemblies which make up the unit. If further disassembly is required, refer to the appropriate illustrated parts section which shows detailed arrangements of parts. Where it will help in determining location, the numbers of the parts are given in the instructions.

1.04 All tools used to remove the various assemblies referred to in this section can be found in the standard tool section 570-005-800TC.

1.05 All damaged, worn, or distorted parts should be replaced if encountered in the disassembly and reassembly procedures.

2. DISASSEMBLY AND REASSEMBLY

Note: For information concerning the proper procedure to remove the tape reader and associated cable assemblies from the set, refer to appropriate set disassembly and reassembly section.

SENSING PIN ASSEMBLY

2.01 To remove the sensing pin assembly (Figure 2), proceed as follows.

(a) Remove the two TP151152 mounting screws, TP110743 lockwashers, and TP104807 flat washers which mount the TP183035 sensing pin guide.

(b) Remove sensing pin assembly.

(c) To replace sensing pin assembly, reverse procedure used to remove it.

FEED MAGNET ASSEMBLY

2.02 To remove the feed magnet assembly (Figure 1), proceed as follows.

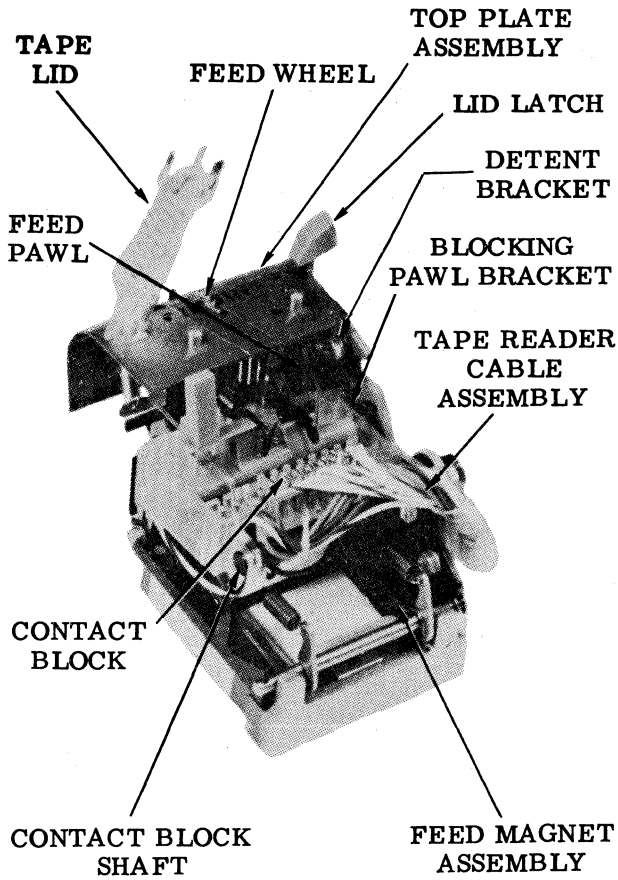
(a) Remove contact block assembly.

(b) Remove sensing pin assembly.

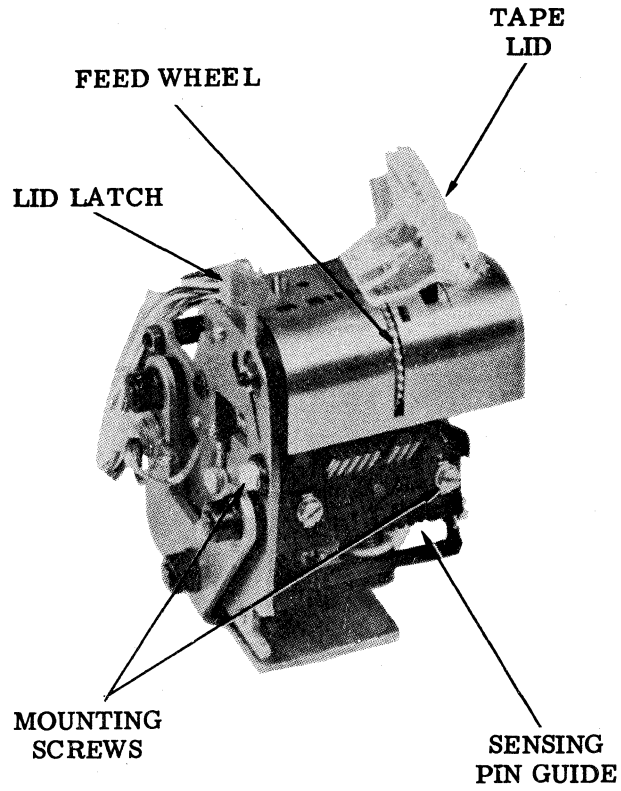
(c) Unhook the TP90517 detent lever spring from the TP183023 detent bracket.

(d) Unhook the TP114107 blocking pawl spring from the TP183020 blocking pawl bracket.

(e) Remove the TP151152 magnet bracket mounting screw, the TP110743 lockwasher, and the TP104807 washer. Then, remove the two TP181241 magnet bracket mounting screws.



(Left Front View)



(Right Rear View)

Figure 1 - Tape Reader (Without Cover)

Figure 2 - Tape Reader (Without Cover)

- (f) Slide the TP183011 feed pawl stud out of engagement with the TP183016 blocking pawl.
- (g) Remove feed magnet assembly.
- (h) To replace feed magnet assembly, reverse procedure used to remove it.

- (c) Remove the TP182139 feed magnet assembly.
- (d) Unlatch the TP183032 tape lid.
- (e) Remove the TP181241 detent bracket mounting screw and TP3598 feed wheel shaft nut and TP124177 lockwasher.
- (f) Remove feed wheel and top plate assembly.
- (g) To replace feed wheel and top plate assembly, reverse procedure used to remove it.

FEED WHEEL AND TOP PLATE ASSEMBLY

2.03 To remove feed wheel and top plate assembly (Figure 1), proceed as follows.

- (a) Remove contact block and cable assembly.
- (b) Remove sensing pin assembly.

TAPE READER FEED MAGNET CONTACT

2.04 To remove the tape reader feed magnet contact (Figure 3), proceed as follows.

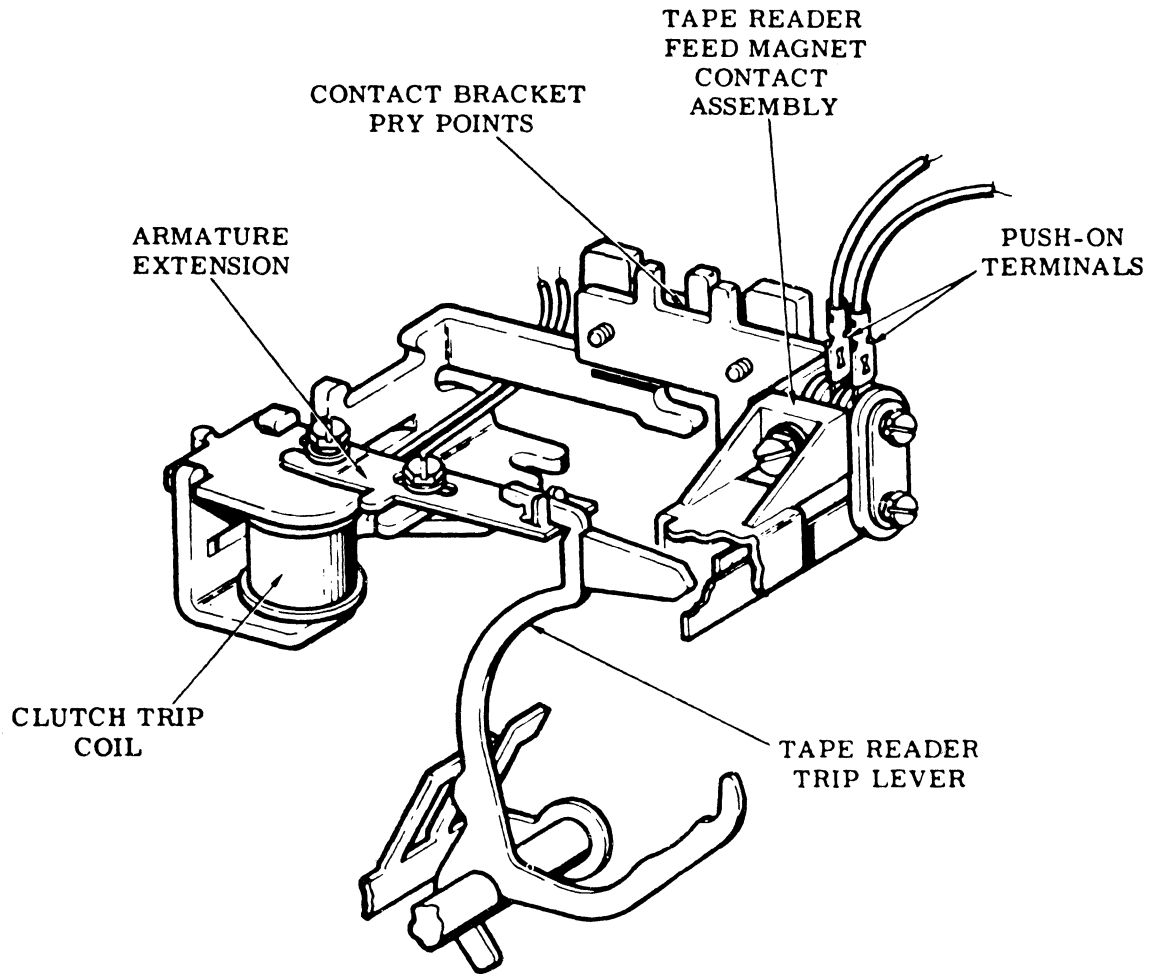


Figure 3 - Clutch Trip Magnet Assembly

- (a) Remove the two push-on TP182726 terminals of the tape reader cable.
- (b) Remove the two TP152893 tape reader feed magnet mounting screws, two TP104807 flat washers, and two TP110743 lockwashers.
- (c) Remove the tape reader feed magnet contact assembly.
- (d) To replace the tape reader feed magnet contact assembly, reverse procedure used to remove it.

TAPE READER CLUTCH TRIP MAGNET ASSEMBLY

- 2.05 To remove tape reader clutch trip magnet assembly (Figure 3), proceed as follows.

- (a) Remove the tape reader feed magnet contact assembly.
- (b) Remove plug no. 4 and, with extractor tool TP182697, remove terminals no. 11 and 12.
- (c) Loosen the two TP180989 distributor disc mounting screws and the TP180798 magnet bracket mounting screw.
- (d) Remove tape reader clutch trip magnet assembly.
- (e) To replace tape reader clutch trip magnet assembly, reverse procedure used to remove it.