

33 COVERS

ADJUSTMENTS

CONTENTS	PAGE
1. GENERAL	1
2. BASIC UNIT	3
Paper Area	
Low paper contact operating arm . . .	3
Tape Punch Area	
Control pushbuttons	6
Tape Reader Area	
Reader mounting bracket (early design)	4
Reader mounting bracket (late design)	5

1. GENERAL

1.01 This section provides adjustment information for the 33 typing unit, tape punch, and reader covers. The requirements apply to covers for both Keyboard Send-Receive (KSR) and Automatic Send-Receive (ASR) Sets (Figures 1 and 2). This section is reissued to provide alphanumeric adjustment codes to the adjustment titles. The code consists of a three-letter combination to designate the area, and a number to distinguish between adjustments in that area. Since these codes are the only change to the sec-

tion, marginal arrows, used to indicate changes or additions, are not used.

1.02 After completing an adjustment, replace cover and/or any parts that were removed. Check any adjustments affected by the removal of the cover and/or parts.

CAUTION: ELECTRICAL POWER MUST BE REMOVED FROM UNIT BEFORE ANY ADJUSTMENTS ARE MADE.

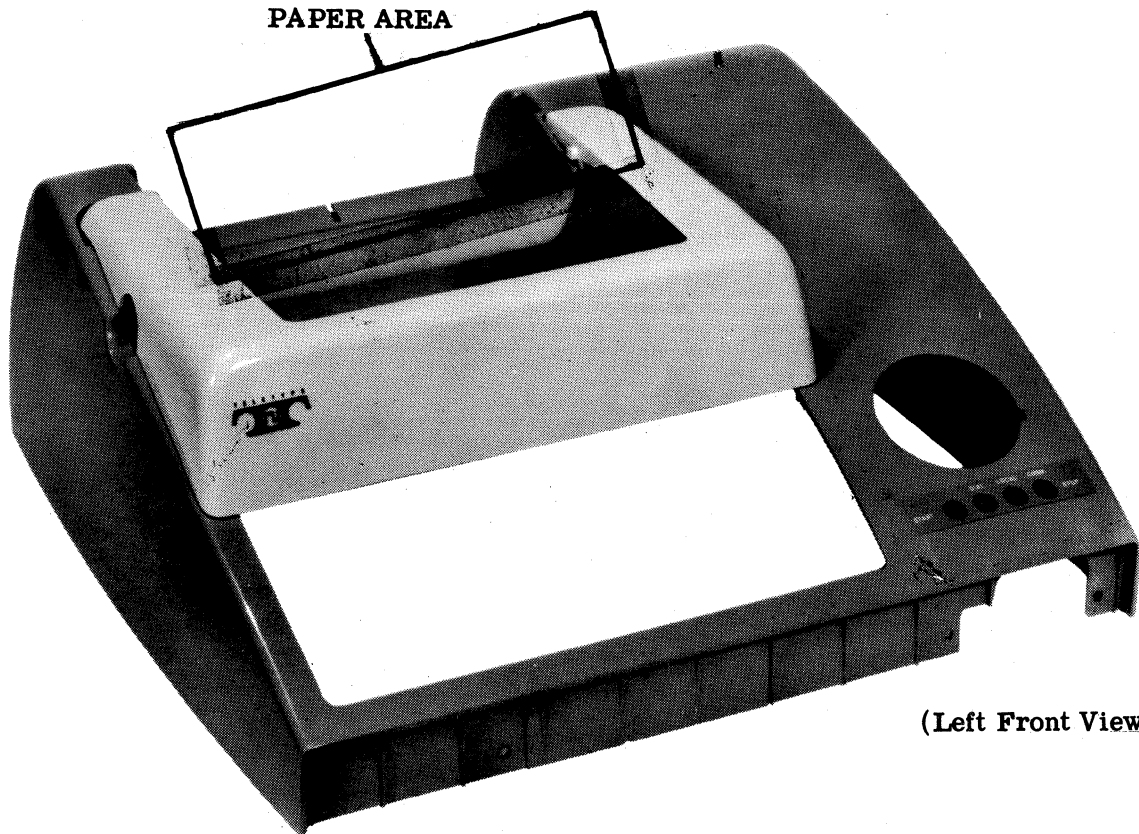
1.03 In the adjustments covered in this section, location of clearances and position of parts are illustrated by line drawings. Requirements and procedures are set forth in the texts that accompany the line drawings.

1.04 Reference to left, right, front, or rear, etc, consider the cover to be viewed from a position where the lid is up and the nameplate position is facing the viewer.

1.05 Unless specifically stated otherwise, position screws or nuts friction tight to make an adjustment, and tighten them securely once the adjustment has been made.

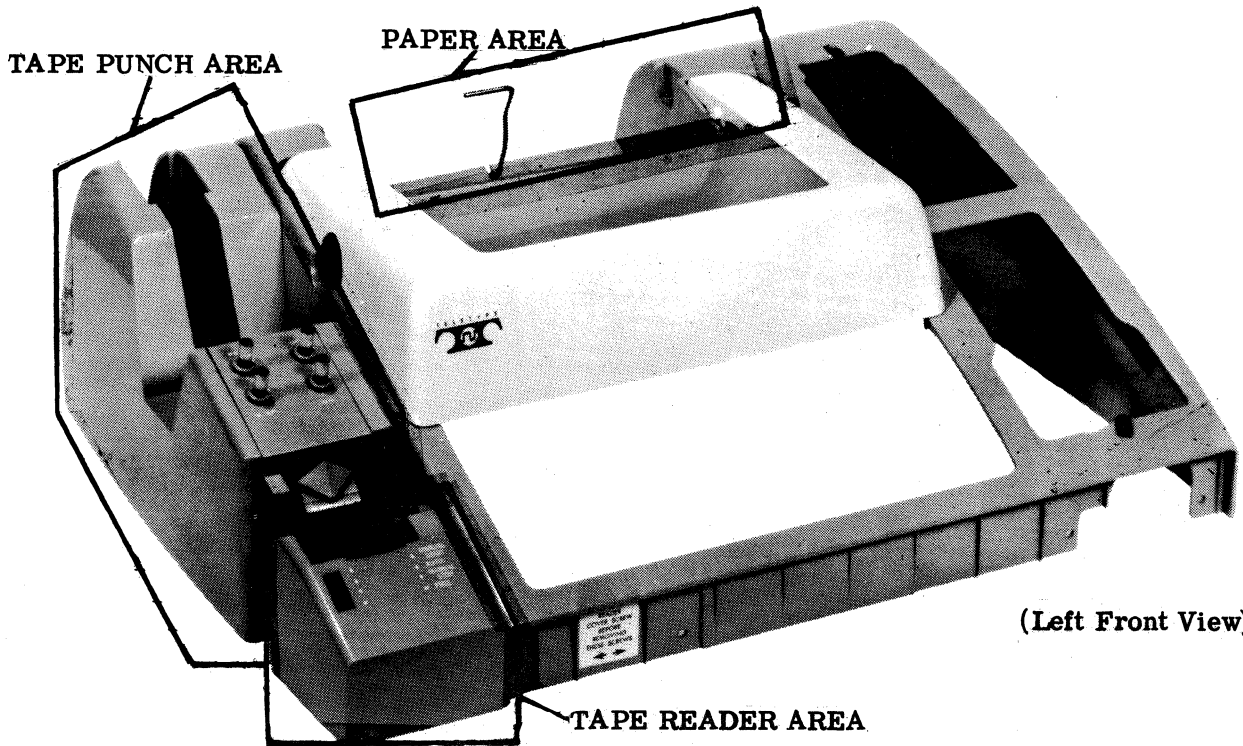
1.06 Tools needed to perform adjustments are included in TP185830 maintenance tool kit and are listed in Section 570-005-800.

1.07 Check appropriate disassembly and reassembly section for approved procedure of cover and parts removal.



(Left Front View)

Figure 1 - Cover (Keyboard Send-Receive Set)



(Left Front View)

Figure 2 - Cover (Automatic Keyboard Send-Receive Set)

2. BASIC UNIT

2.01 Paper Area

Note 1: The following adjustment applies only to typing units with TP181441 switch mounted on the base casting next to the left function shaft clamp.

LOW-PAPER CONTACT OPERATING ARM (MIA-3)

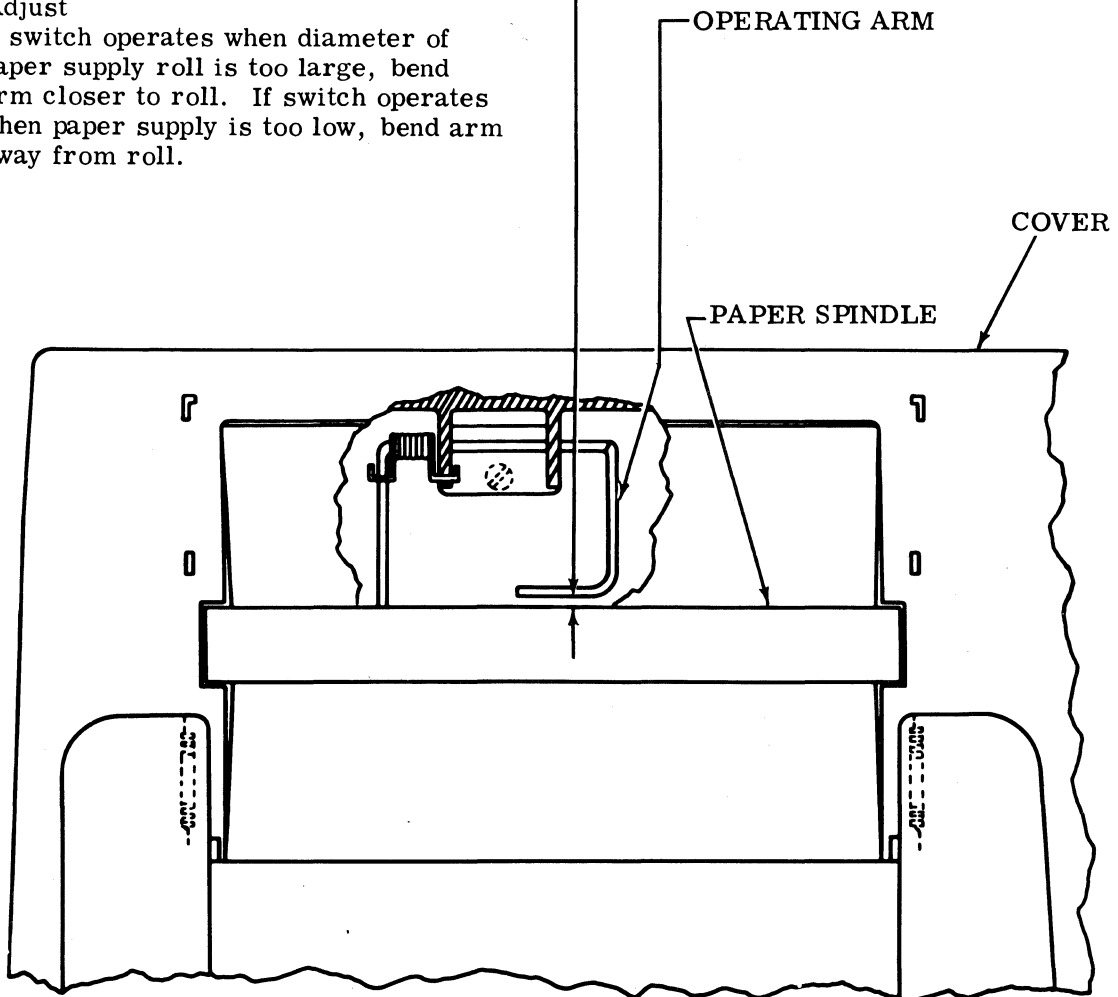
- (1) Requirement (Preliminary)
 With paper spindle in place
 Min 1/16 inch---Max 3/16 inch
 between operating arm and spindle.

To Adjust
 Bend the wire operating arm.

- (2) Requirement (Final)
 Switch will operate when predetermined
 low paper supply is reached.

To Adjust
 If switch operates when diameter of
 paper supply roll is too large, bend
 arm closer to roll. If switch operates
 when paper supply is too low, bend arm
 away from roll.

Note 2: The operating arm should pass through the cover slot, free from any contact with the cover.



(Top View)

2.02 Tape Reader Area

Note: The following adjustment applies to tape readers with early design bases.

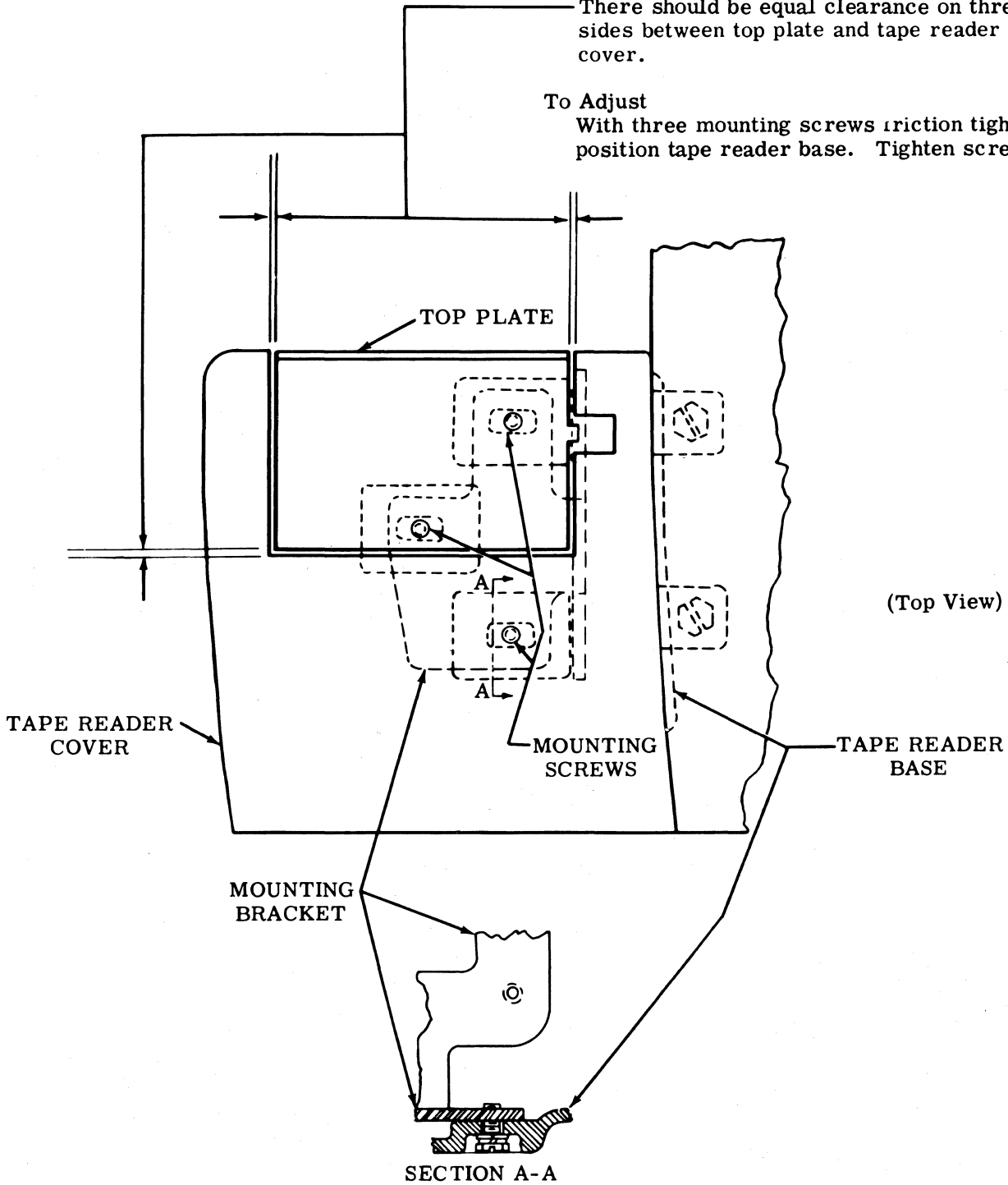
READER MOUNTING BRACKET (Early Design)
(RRA-11)

Requirement

There should be equal clearance on three sides between top plate and tape reader cover.

To Adjust

With three mounting screws friction tight, position tape reader base. Tighten screws.



2.03 Tape Reader Area (continued)

Note: The following adjustment applies to tape readers with late design bases.

READER MOUNTING BRACKET (Late Design) (RRA-11)

(1) Requirement

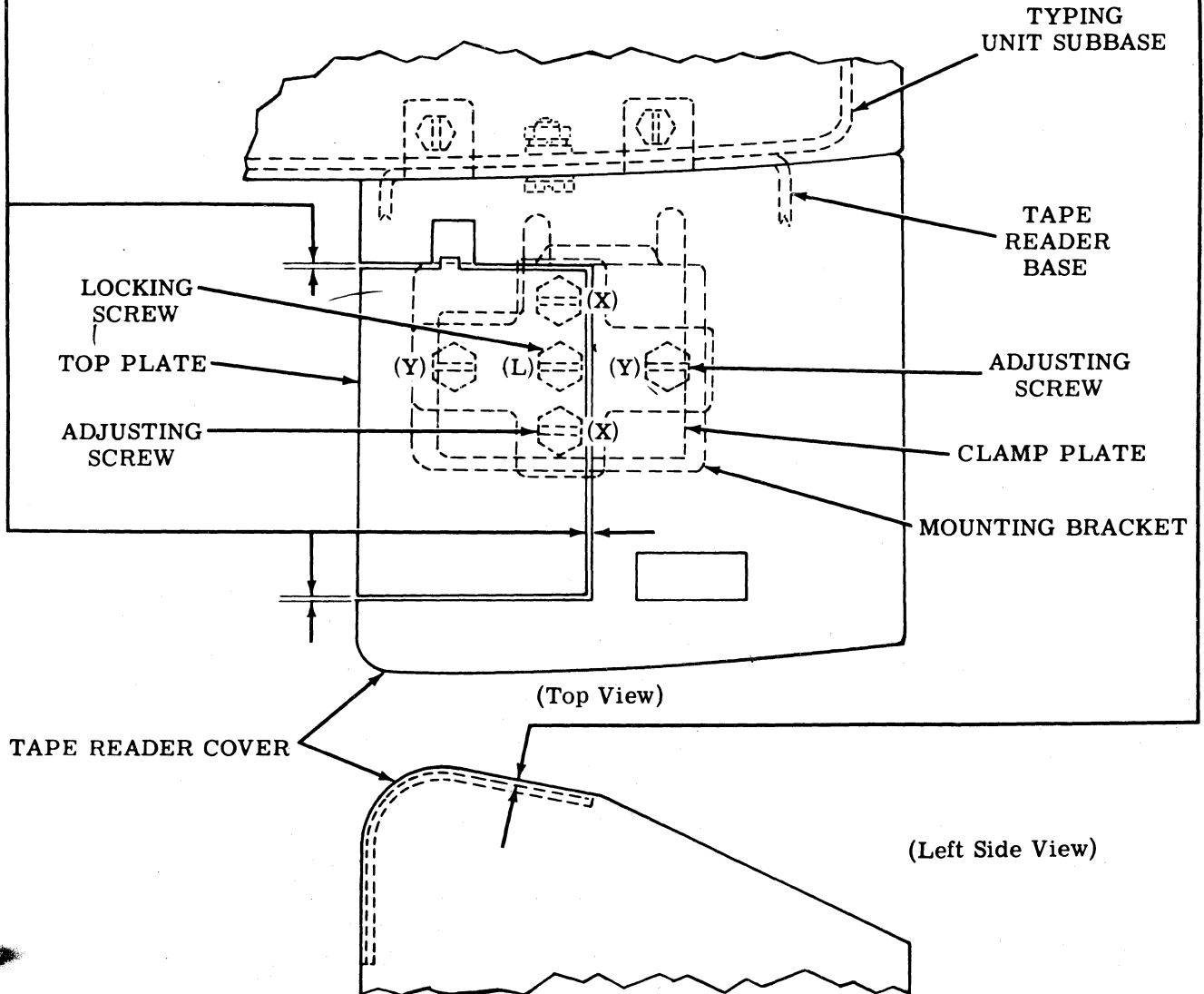
Top plate to be
Min flush---Max 0.030 inch
below cover.

(2) Requirement

Equal clearance between top plate and tape reader cover on three sides.

To Adjust

With four adjusting screws and locking screw (L) loosened and mounting bracket lying flat on tape reader base, position tape reader. Run two adjusting screws (X) up until requirement is approximately met. Tighten locking screw friction tight. Run two adjusting screws (Y) up until requirement is approximately met. Refine all four adjusting screws, loosen locking screw if necessary. Tighten locking screw.

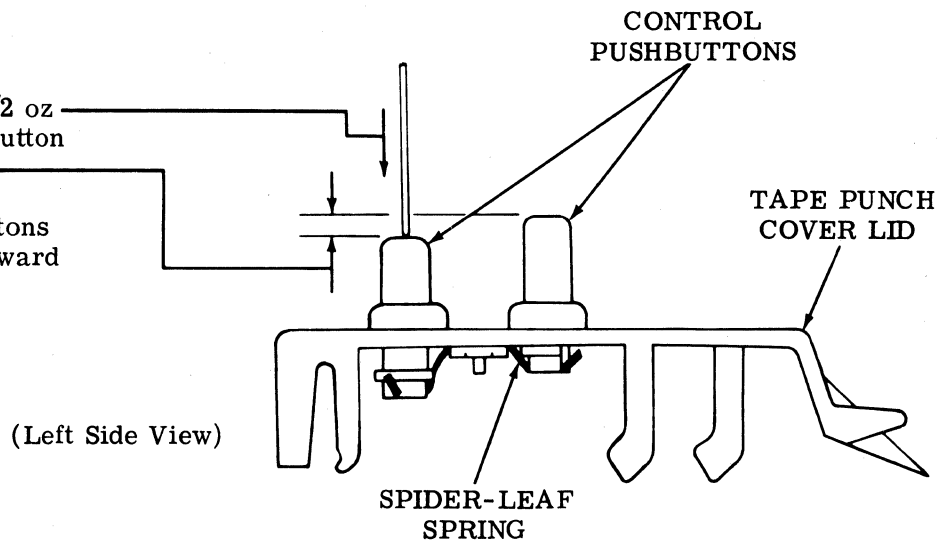


2.04 Tape Punch Area

CONTROL PUSHBUTTONS

Requirement

Min 1/2 oz---Max 1-1/2 oz
to push each control pushbutton
down 1/8 inch
as gauged by eye, while
remaining control pushbuttons
remain in their normal upward
positions.



after the tape reader has stopped before moving it beyond the STOP position and into the FREE position. The FREE position of the control lever is used to facilitate the insertion and/or removal of paper tape from the tape reader.

1. 11 All adjustments in the "Clutch Trip Area" should be started with the typing unit in the stop condition. It is in the stop condition when the selector armature is in its attracted (forward) position and all clutches are disengaged.

1. 12 To place the typing unit in the stop condition, hold the selector armature in its attracted (forward) position. Rotate the main shaft clockwise (as viewed from the left) until all clutches are fully disengaged as instructed in 1. 13 below.

1. 13 When disengaged, a clutch is latched so that a shoe lever is held in its stop position by a trip lever while a corresponding latch-lever is seated in a notch of the clutch disc. This allows the clutch shoes to release their tensions on the clutch drum. With all clutches disengaged, the main shaft will turn freely without any clutch shoes dragging.

Note 1: The clutch stop position is that position where a shoe lever contacts a trip lever.

Note 2: If the shaft is turned by hand, a clutch will not fully disengage upon reaching a stop position. Where an adjustment procedure requires disengagement, rotate the clutch to a stop position, apply a screwdriver to the associated stop-lug, and push the clutch disc in the normal direction of main shaft rotation until the corresponding latch lever seats in its clutch disc notch.

Note 3: The distributor clutch will not disengage unless the answer-back drum is in its home position, which is the position where the control lever is fully detented into the indent on the answer-back drum.

1. 14 There are two areas in which tape reader adjustments and spring tensions are found. As aids in locating the areas, Figures 1 and 2 are provided. They indicate the areas as follows:

<u>Area</u>	<u>Figure</u>
Clutch trip	2
Tape reader	1